

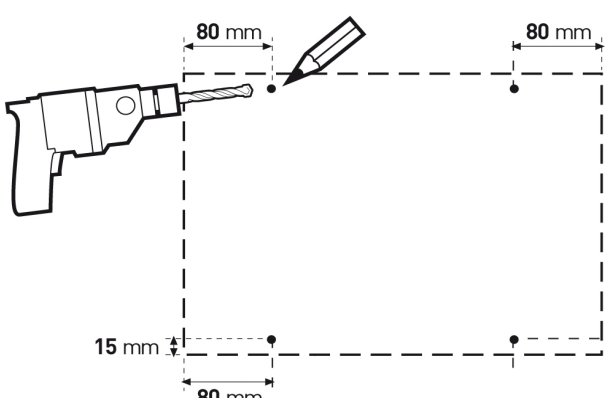
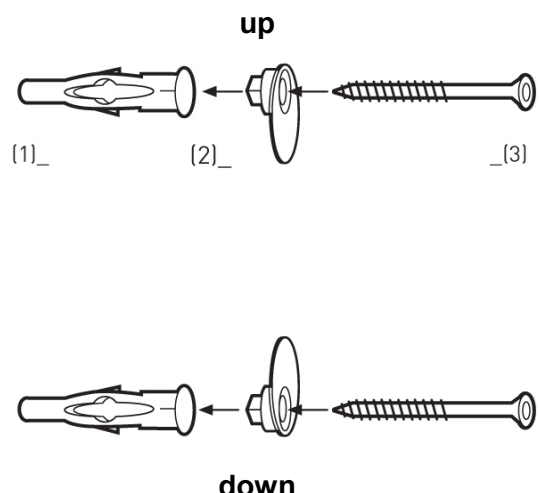
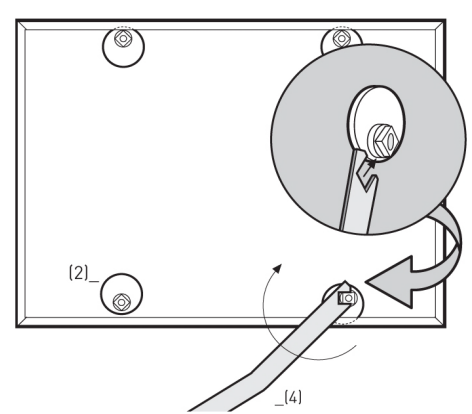
> Classic Ready-Made Frames

Assembly instruction for security system





Important: The special key must be ordered separately.

Order-No.: 51713

Special key order-no.: 51714

<p>> 01 Measurement and marking of the drilling distances</p> 	<p>> 02 Fastening the adjusting screws</p> 	<p>> 03 Alignment and securing by adjusting discs</p>  <p>Ready made frame and adjusting screws seen from behind</p>
<p>Mark the desired height of the picture frame. The drilling distances from the outer edges of the interchangeable frame are 80 mm.</p> <p>After hanging up the removable frame (see Fig. 03), mark the lower dimension (15 mm) from the lower edge of the frame and drill. (° 8 mm)</p>	<p>Fasten the hangers (adjusting discs) as shown.</p>	<p>Place the removable frame on the adjusting discs (2) as shown above. Place the special key (4) - between the wall and the removable frame - on the square of the adjustment discs and align the frame horizontally by turning the adjusting discs.</p>

> Parts List

<p>1_Dowels</p>  <p>4 pieces</p>	<p>2_Adjusting discs</p>  <p>4 pieces</p>	<p>3_Oval-head screws</p>  <p>4 pieces</p>	<p>4_Special key</p>  <p>1 piece</p>
---	--	---	---

> Aluminium - Cut

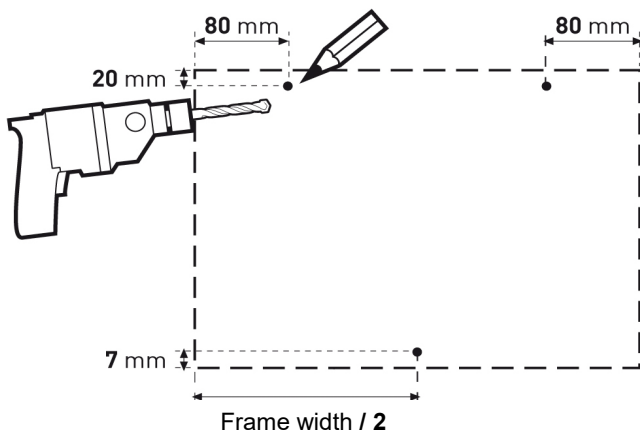
Assembly instruction for security system

Important: The special key must be ordered separately.

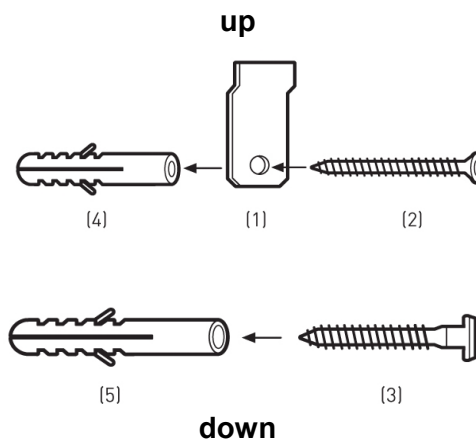
Order-No.: 51703

Special key order-no.: 51714

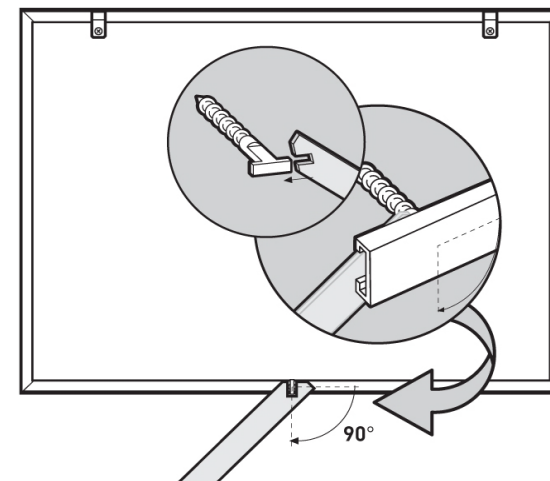
> 01 Measurement and marking of the drilling distances



> 02 Fastening the hangers and the safety catch



> 03 Tightening the screw locking device



Mark the desired height of the picture frame on the wall. The drilling distances from the outer edges of the frame are 80 mm x 20 mm (° 6 mm).

The (3) screw lock is placed in the middle of the frame, 7 mm from the lower edge (° 8 mm).

Attach the (1) hanger and (3) screw lock to the wall as shown.

After hanging up the frame only the screw lock has to be tightened with the special wrench.

> Parts List

1_Hanger



2 pieces

2_Oval-head screws



2 pieces

3_Screw lock
(hammer-head bolt)



1 piece

4_Hexagon dowel



2 pieces

5_Eight dowel



1 piece

6_Special key



1 piece

> Wood - Cut

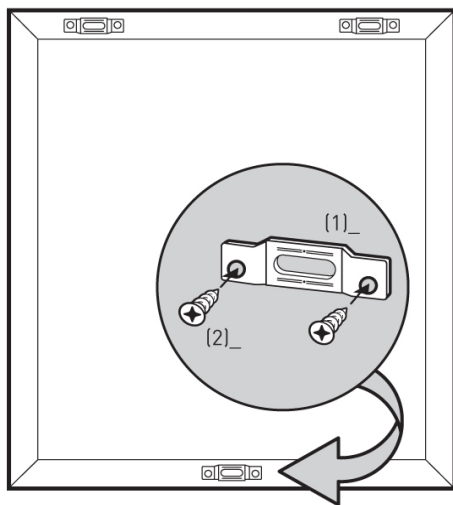
Assembly instruction for security system

Important: The special key must be ordered separately.

Order-No.: 51705

Special key order-no.: 51714

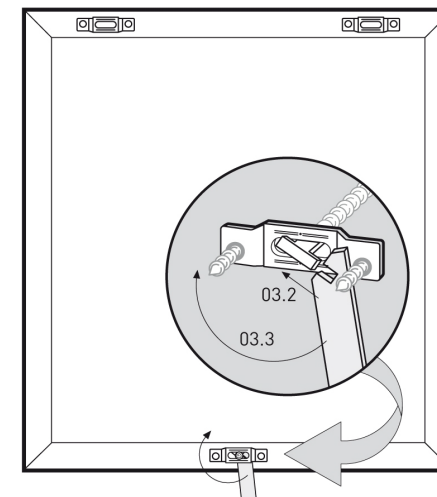
> 01 Measurement and marking of the drilling distances



> 02 Fastening the screw locking devices



> 03 Alignment and securing by adjusting discs



Screw the special fittings (1) onto the wooden frame as shown above using pan-head screws (2).

Mark and drill the desired height of the picture frame (° 8 mm).

Insert the dowels (3) into the holes ° 8 mm. Screw the screw locks (4) into the dowels as far as they will go, that the outer surface of the screw locking devices up to the wall is approx. 5 mm. Bring the screw locking devices into horizontal position.

03.1 Put the picture frames with the special fittings on the horizontally screwed in screw locks (4).

03.2 Grasp into the screw neck with the special wrench (5) and 03.3 Move the screw locking devices into the vertical position.

The frame is secured.

> Parts List

1_Special fittings



3 pieces

2_Oval-head screws



6 pieces

3_Dowels



3 pieces

4_Screw fuse



3 pieces

5_Special key



1 piece